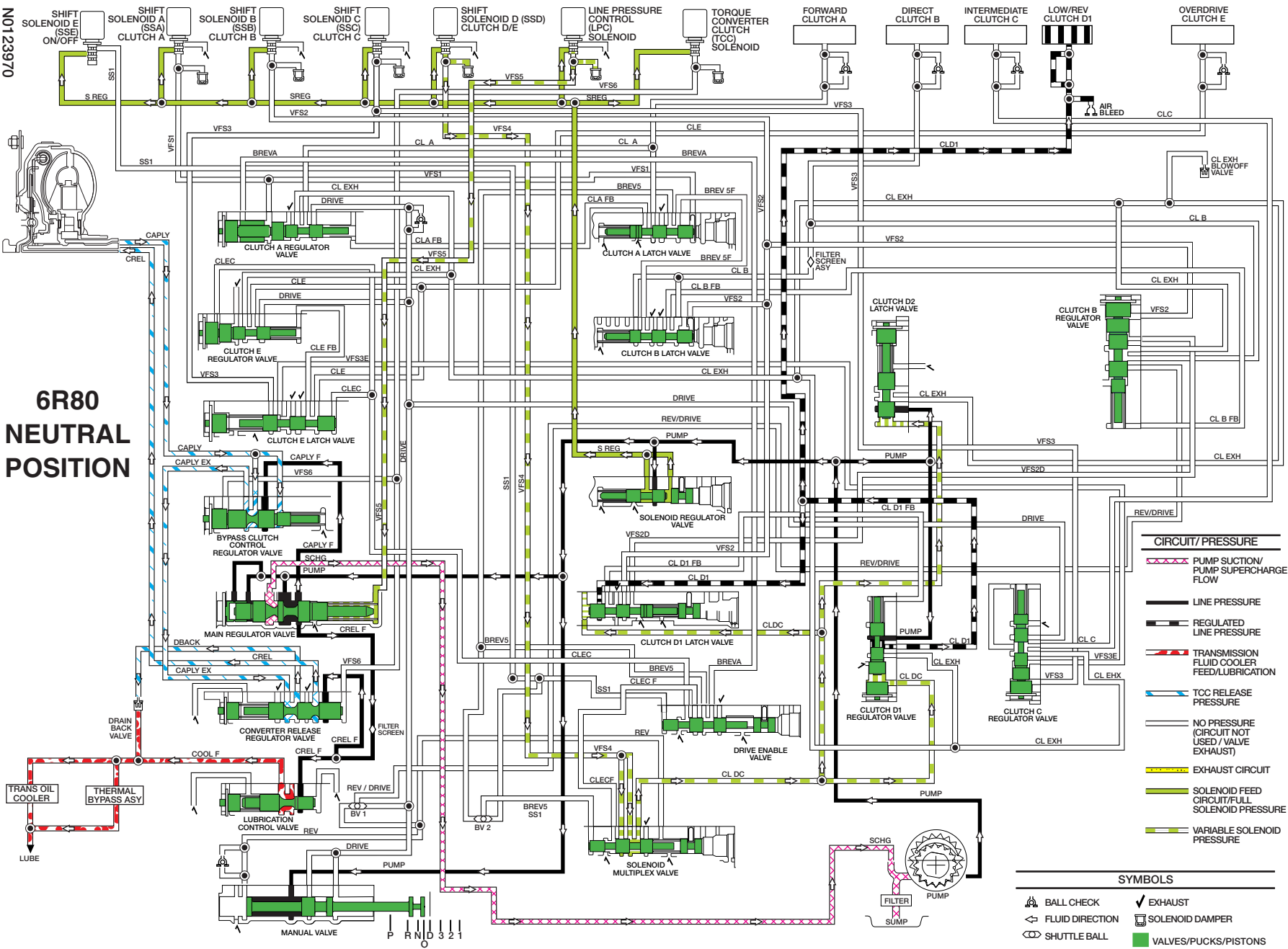


N0123970

6R80 NEUTRAL POSITION



CIRCUIT/PRESSURE

- PUMP SUCTION/ PUMP SUPERCARGE FLOW
- LINE PRESSURE
- REGULATED LINE PRESSURE
- TRANSMISSION FLUID COOLER FEED/LUBRICATION
- TCC RELEASE PRESSURE
- NO PRESSURE (CIRCUIT NOT USED / VALVE EXHAUST)
- EXHAUST CIRCUIT
- SOLENOID FEED CIRCUIT/FULL SOLENOID PRESSURE
- VARIABLE SOLENOID PRESSURE

SYMBOLS

- BALL CHECK
- FLUID DIRECTION
- SHUTTLE BALL
- EXHAUST
- SOLENOID DAMPER
- VALVES/PUCKS/PISTONS

P R N D 3 2 1 0