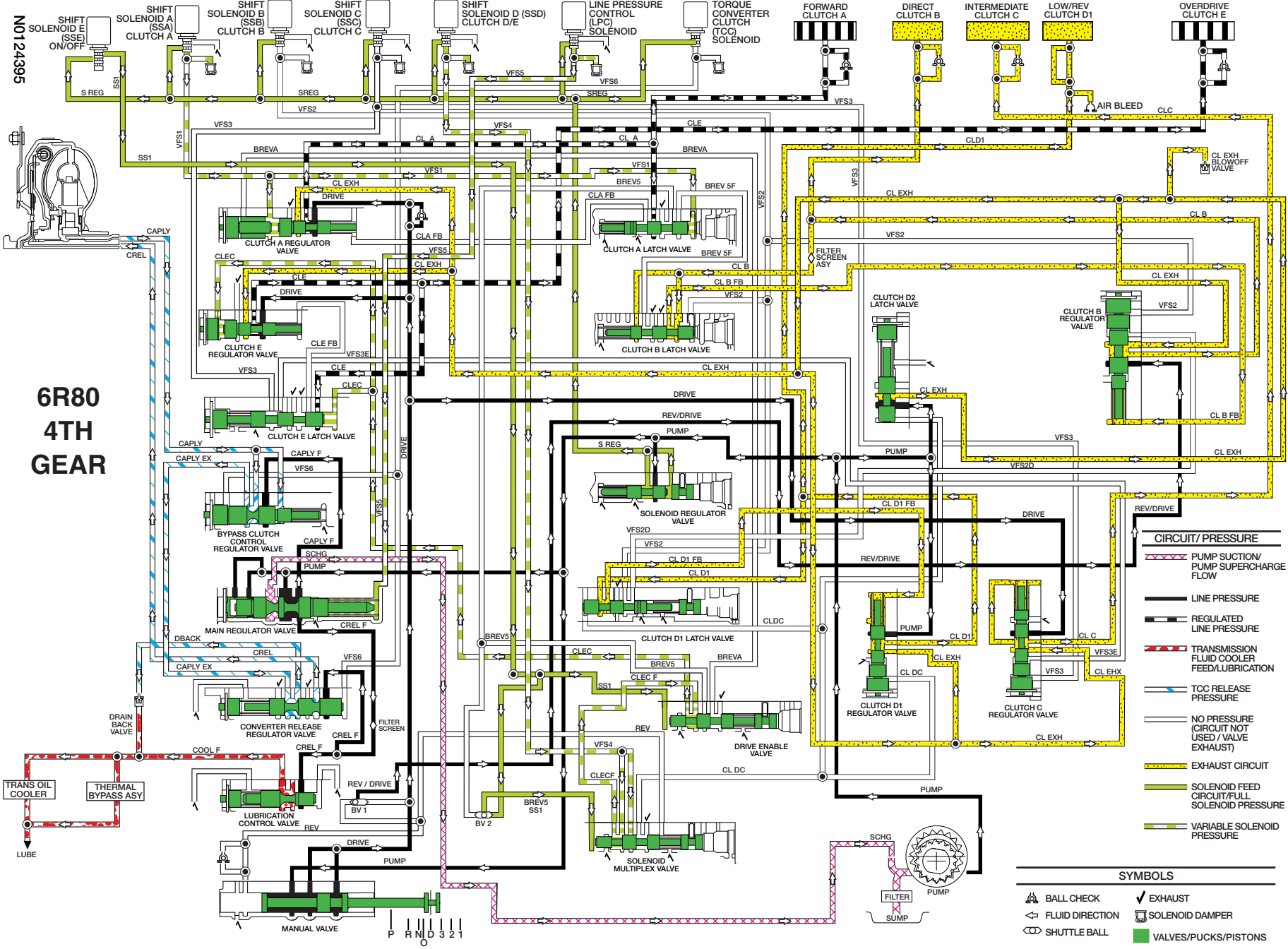
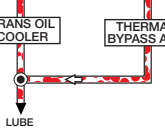
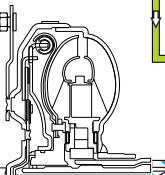


N01 24395

6R80 4TH GEAR



- CIRCUIT/PRESSURE**
- PUMP SUCTION/ PUMP SUPERCHARGE FLOW
 - LINE PRESSURE
 - REGULATED LINE PRESSURE
 - TRANSMISSION FLUID COOLER FEED/LUBRICATION
 - TCC RELEASE PRESSURE
 - NO PRESSURE (CIRCUIT NOT USED / VALVE EXHAUST)
 - EXHAUST CIRCUIT
 - SOLENOID FEED CIRCUIT/FULL SOLENOID PRESSURE
 - VARIABLE SOLENOID PRESSURE
- SYMBOLS**
- BALL CHECK
 - FLUID DIRECTION
 - SHUTTLE BALL
 - EXHAUST
 - SOLENOID DAMPER
 - VALVES/PUCKS/PISTONS



P R N D 3 2 1