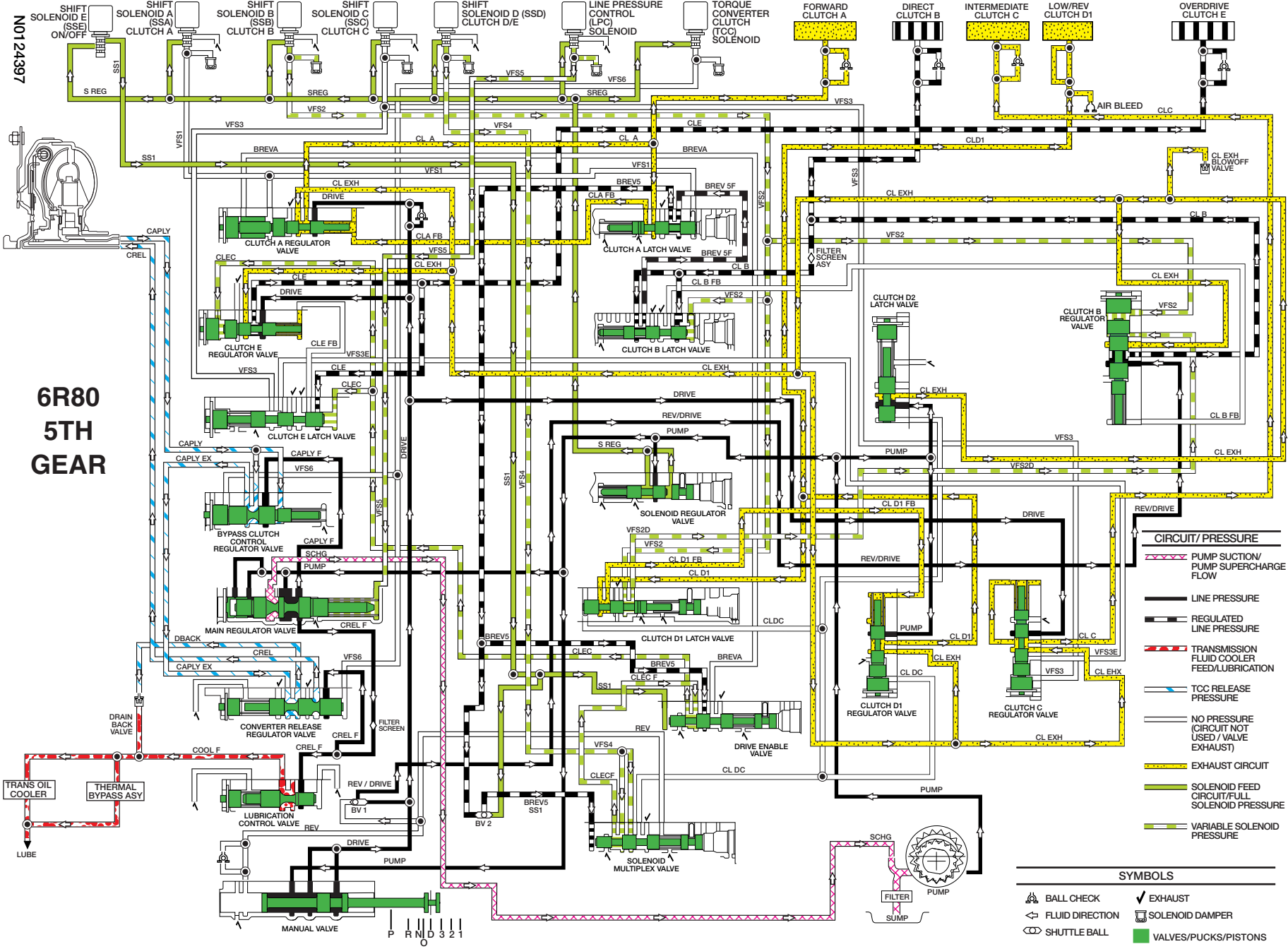


N01 24397

# 6R80 5TH GEAR



- CIRCUIT/PRESSURE**
- PUMP SUCTION/ PUMP SUPERCHARGE FLOW
  - LINE PRESSURE
  - REGULATED LINE PRESSURE
  - TRANSMISSION FLUID COOLER FEED/LUBRICATION
  - TCC RELEASE PRESSURE
  - NO PRESSURE (CIRCUIT NOT USED / VALVE EXHAUST)
  - EXHAUST CIRCUIT
  - SOLENOID FEED CIRCUIT/FULL SOLENOID PRESSURE
  - VARIABLE SOLENOID PRESSURE

- SYMBOLS**
- BALL CHECK
  - FLUID DIRECTION
  - SHUTTLE BALL
  - EXHAUST
  - SOLENOID DAMPER
  - VALVES/PUCKS/PISTONS

